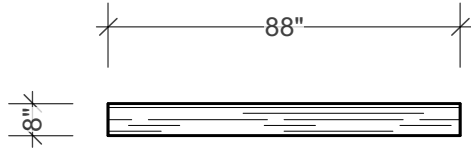
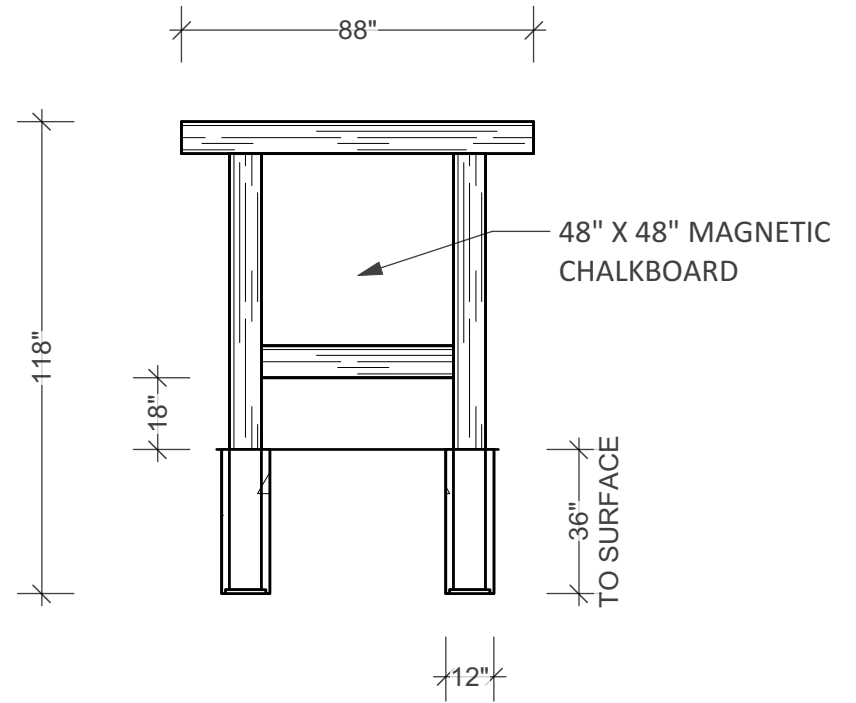


**GENERAL NOTES:**

- ALL LOGS ARE HAND PEELED AND SANDED
- SIZE AND SHAPE OF LOGS MAY VARY
- VARIABLE WOOD TREATMENT OPTIONS
- OPTIONAL WOOD SPECIES:
  - EASTERN HEMLOCK
  - EASTER LARCH
  - WHITE CEDAR
- WALL MOUNT VERSION IS AVAILABLE



1 PLAN VIEW



2 FRONT ELEVATION

TITLE:			OCOCIG
OUTDOOR CHALKBOARD			
LENGTH:	WIDTH:	HEIGHT:	WEIGHT:
88"	8"	118"	TBD



**Cobequid**  
 Outdoor Recreation Consultants & Contractors  
 RR1 Economy, NS B0M1J0. 902.647.2271  
 cobequidconsulting1@gmail.com